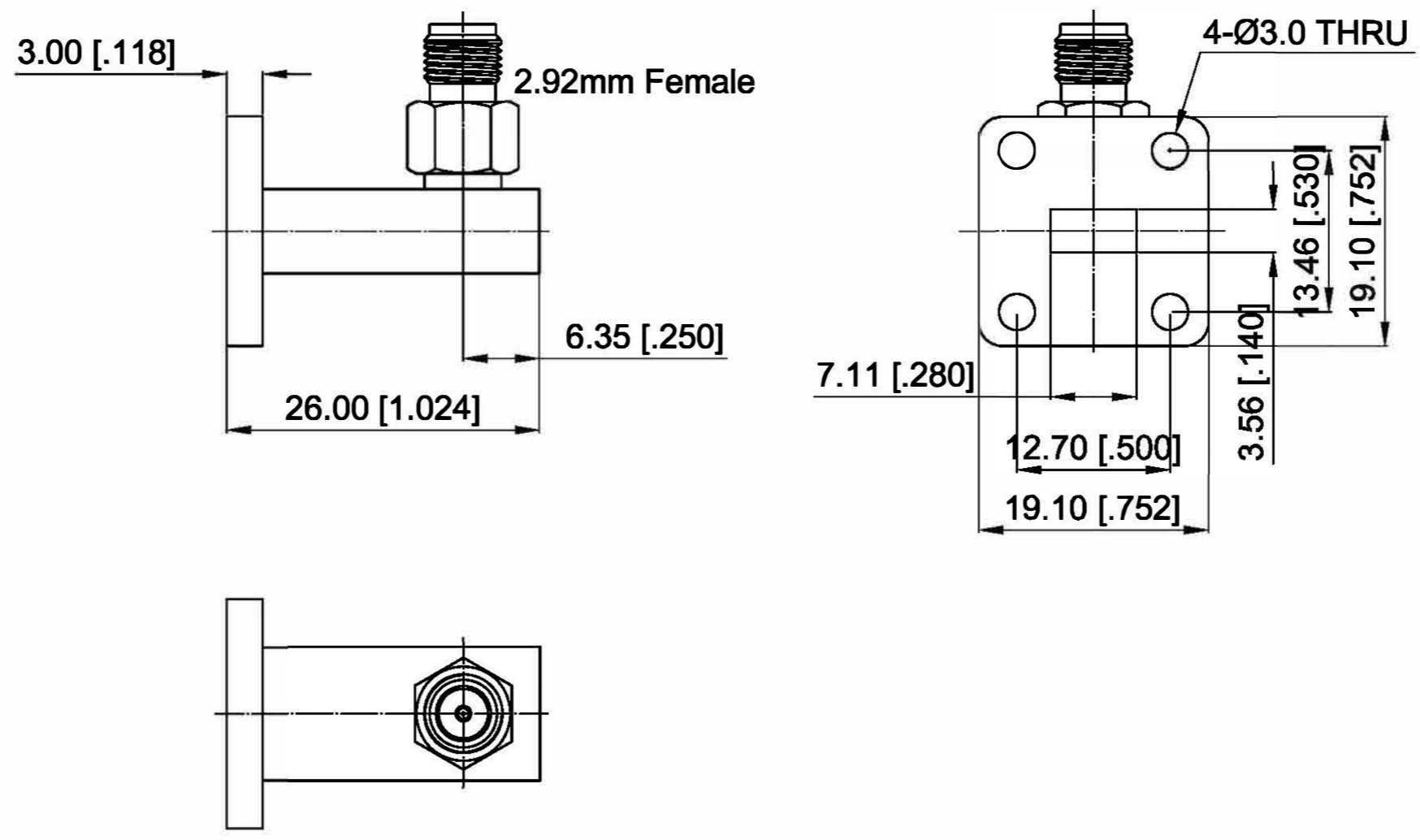


ELECTRICAL PERFORMANCE

Impedance: 50 Ohm
 Frequency Range: 26.5-40 GHz
 VSWR: 1.35 Max.

Revisions			
Rev	Description	Date	Approved:
A	Initial Release	2016.2.18	A. M



NOTES:
 1. ALL SPECIFICATIONS ARE SUBJECT TO CHANGE WITHOUT NOTICE AT ANY TIME
 2. CUSTOMER OUTLINE DRAWING FOR REFERENCE ONLY

Drawn: W. Y 2016.2.18	Title: WR28 to 2.92mm Female Adaptor, 26.5-40 GHz	ID CONNECTING				
Checked: T. L 2016.2.18						
Approved: A. M 2016.2.18		Part No: IDC28-292FL	View:	Size: A3	Scale: 2:1	Sheet: 1/1
Unless Otherwise Specified Dimensions are in Millimeters, Dimensions in [] are in Inches for Customer Reference Only. Unless Otherwise Specified Tolerance are: .XX ±0.13 [.005"] .X ±0.20 [.008"] X ±0.50 [.019"] .X° ±1° X° ±2°						