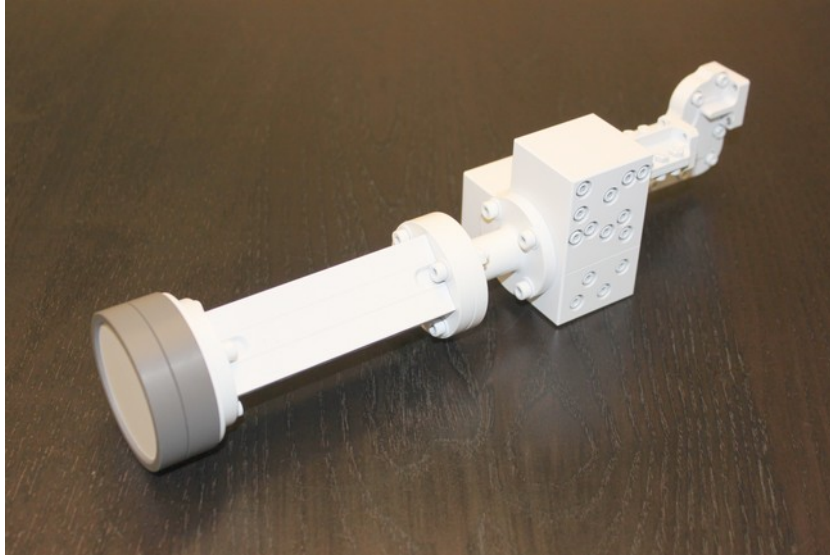


High Performance Ka Band TxRx Dual Polar CP Prime Focus Feed MODEL 90676



This is a Ka Satcom Transmit/Receive scalar feed providing high isolation and very low return loss. Both ports cover the whole range from 17.2 GHz to 31 GHz. This delivers a huge amount of flexibility allowing Elite to offer a variety of configurations including a 4-port feed from the same design. Both ports can be set as Receive ports or both as Transmit ports.

The ports on this feed can therefore be used with the ports as: Rx/Rx, Tx/Tx, Tx/Rx, Tx/Tx/Rx/Rx without any impact on the feed's performance.

This flexibility means that the feed is ideally suitable for systems which need to communicate with multiple satellites and is suitable for satellite surveillance, monitoring, intercept and jamming applications.

Features

- Excellent performance across entire Ka band over both ports of 17.2 - 31 GHz.
- This feed is designed to exceed Eutelsat Ka band satcom requirements.

Other Parts Available

Linear Polarisation feed

P/N 90678

Offset feed

P/N 90677

Electrical Specification

Frequency	17.2 - 22.2 GHz	27.0 – 31.0 GHz
f/D	0.34 - 0.38 0.38 - 0.42	0.34 - 0.38 0.38 - 0.42
Polarity	Circular	Circular
Return Loss	Typically > 20 dB	Typically > 25 dB
Axial Ratio	Approx. 0.5 - 1 dB	0.7 dB ± 0.3 dB
Insertion Loss	Typically 0.5dB	Typically 0.5dB
Tx to Rx Port Isolation	Typically > 95 dB over 27.0 - 30.5 GHz Typically > 80 dB over 30.5 - 31.0 GHz	

Mechanical Specification

Dimensions	306mm (L) x 67mm (W) max. x 67mm (H) max.
Stock Material	Aluminium 6082
Interface	WR42 (WG20) flange WR28 (WG22) flange
Fixings	M3 Clearance holes at WR42 interface / WR28 M3 Tapped
Weight	942g
Finish	RAL9010 white polyurethane as standard



Radomes are susceptible to damage by birds, etc and may need replacing from time to time. Bonded radomes make this difficult and time consuming.

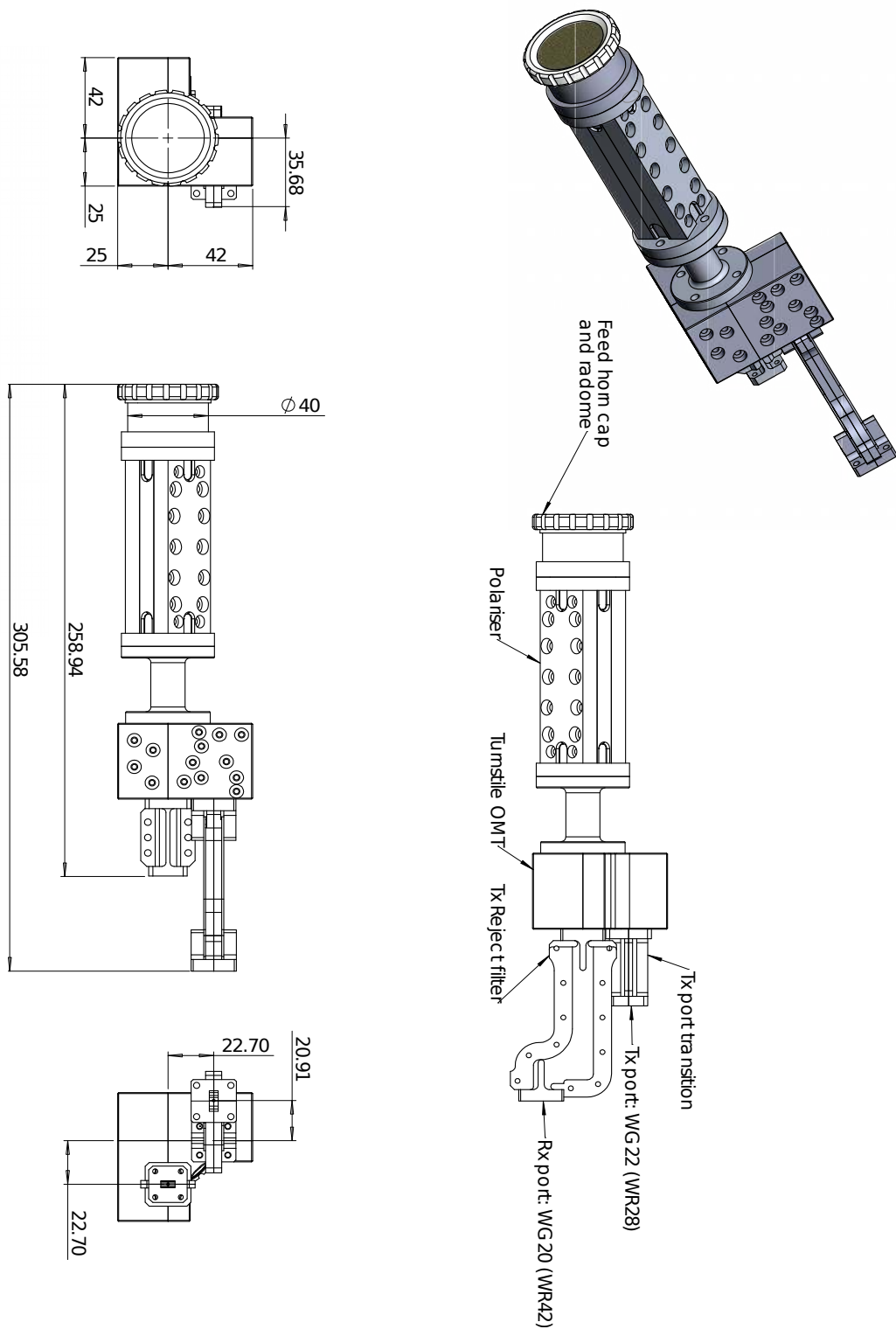
With the new *screw off, screw on* radome, replacing the radome is simple and straight forward.

Replacement/spare radomes are available.

Elite Antennas designs & manufactures a wide range of high performance satcom antennas, meteorological antennas and waveguide systems for high-end customers including defence agencies, commercial broadcast networks, systems integrators and research agencies.

Contact Elite Antennas for more information on applications and related products, services and systems

Outline Drawing



s e s