

SATCOM COMPONENT

L-band Bias-T BT1000



TYPICAL SPECIFICATIONS

IF SIGNAL

Frequency range	950 - 2150 MHz 950 - 1450 MHz
Insertion loss in band	2.0dB max
Input VSWR	2.0 : 1
Output VSWR	2.0 : 1
Connector	SMA-female, N-female F-female
Dimensions	66(L) x 37.2(W) x 23(H) mm
Weight	150g
Operating Temperature	-30 to 55°C

DC INPUT

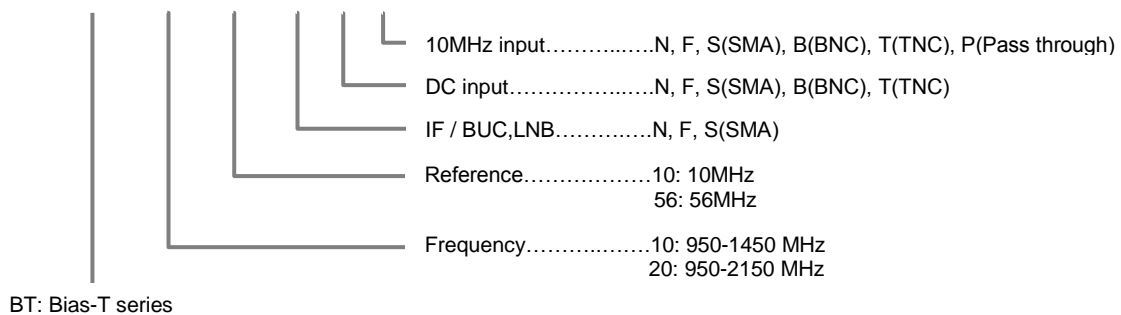
DC power	+15 to +24 V
DC current	3.0A max
Connector	.N, F, SMA, BNC, TNC

REFERENCE INPUT

Insertion loss	1.5dB max
VSWR	2.0 : 1
Connector	N, F, SMA, BNC, TNC, Pass through

HOW TO ORDER L-band BIAS-T

BT1010NBP



SATCOM COMPONENT

OUTLINE DRAWING

