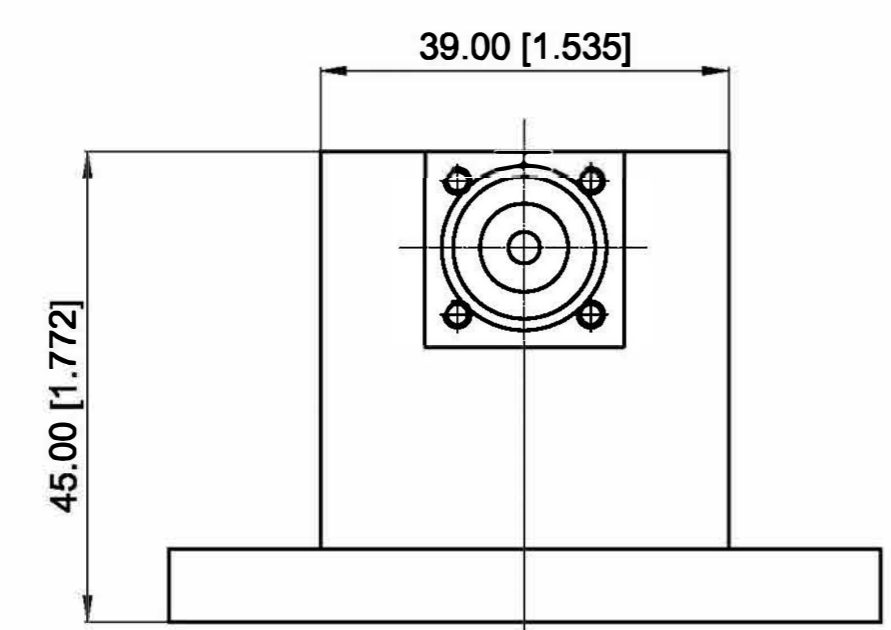
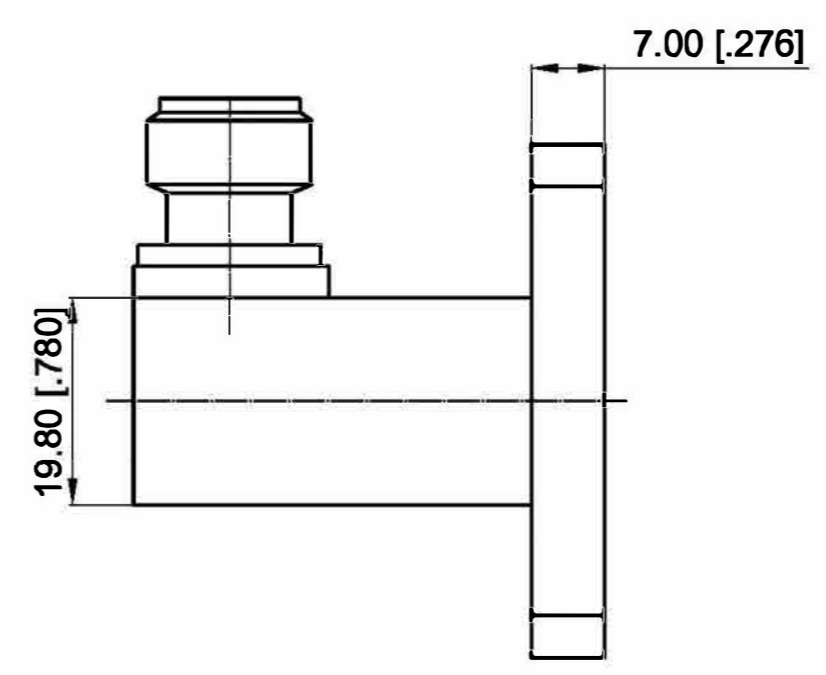
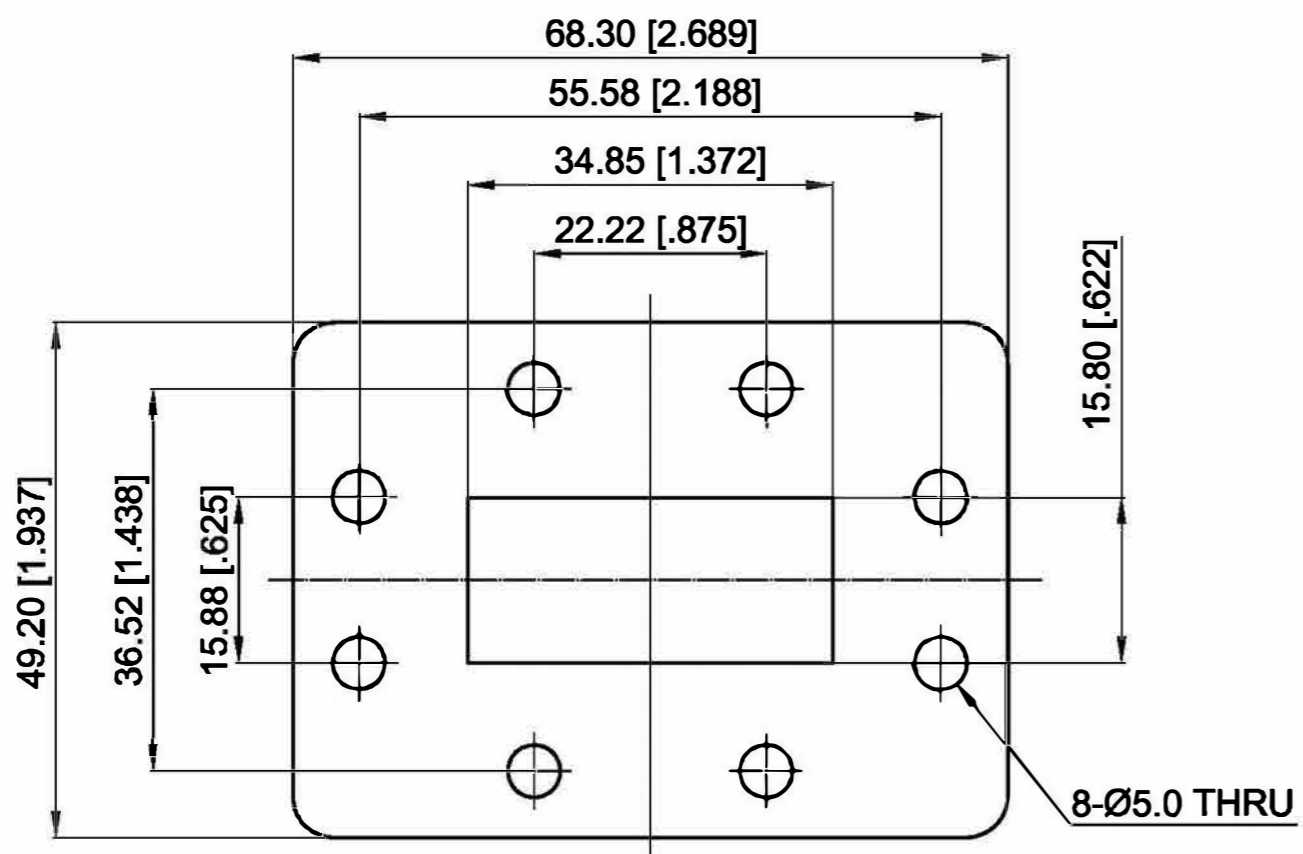


Revisions			
Rev	Description	Date	Approved:
A	Initial Release	2014.8.28	A. M



**ELECTRICAL PERFORMANCE**  
 VSWR: 1.30 Max. @ Freq 5.85-8.2 GHz

**MATERIAL**  
 Waveguide Body: Alminum  
 N Connector Body: Brass Plated Nickel

**NOTES:**  
 1. ALL SPECIFICATIONS ARE SUBJECT TO CHANGE WITHOUT NOTICE AT ANY TIME  
 2. CUSTOMER OUTLINE DRAWING FOR REFERENCE ONLY

Drawn:	W. Y 2014.8.28
Checked:	T. L 2014.8.28
Approved:	A. M 2014.8.28
Unless Otherwise Specified Dimensions are in Millimeters, Dimensions in [ ] are in Inches for Customer Reference Only. Unless Otherwise Specified Tolerance are: .XX ±0.13 [.005"] .X ±0.20 [.008"] X ±0.50 [.019"] .X° ±1° X° ±2°	

Title:	<b>WR137 to N Female Adaptor</b>
Part No:	<b>IDC137NFL</b>

<b>ID CONNECTING</b>			
View:		Scale:	1:1
Size:	A3	Sheet:	1/1
Rev:	A		