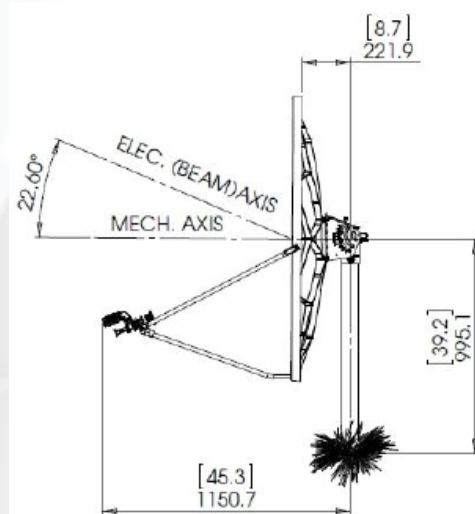
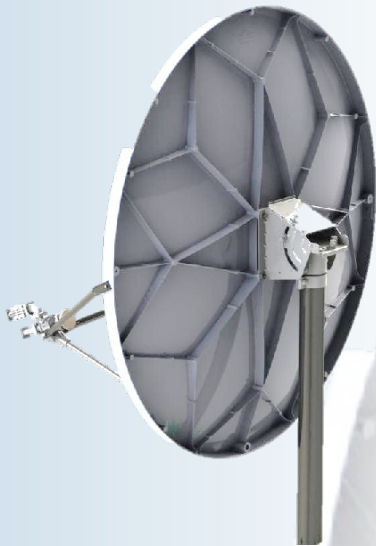


Type122: 1.2m BSS Band Antenna

SFL RxTx Class I



- One-piece precision SMC Reflector
- Precision Az/EI Mount
- Fine Azimuth and Elevation Adjustment Features
- All Materials Comply with EU Directive No. 2002/95/EC (RoHS)



- 720 Hour Salt Spray Hardware
- Standard Waveguide Flange Interface

The Skyware Global 1.2m BSS Band Antenna SFL RxTx

Class I is a rugged, commercial quality product suitable for the most demanding applications.

- The reflector is constructed from glass fiber reinforced polyester [SMC] for strength and accuracy. A proprietary process developed by Skyware Global insures high RF reflectivity as needed for Ku Band operation.
- The precision Az/EI mount is made of galvanized steel for excellent corrosion resistance. This mount includes special features to increase pointing accuracy with low backlash and lockdown error.
- This Az/EI allows the antenna to be installed on standard (73-73MM) 27/8 or 3" OD installation mounts.
- All hardware is plated to 720 hour salt spray standards under ASTM B-117.
- Cross-Polarization Isolation of 30dB on axis
- Excellent Tx Port-to-Port Isolation of 90dB or better
- Class I system designed for typical lightweight Ku-band RF Electronics.*

* 2.0 kg or 4.5 lb max. weight (For BUC and LNB) 2.2 kg or 4.8 lb max. weight (For Transceiver)



• PRODUCT SPECIFICATIONS

RF Performance

Operating Frequency

TX *.....17.3 -18.1 GHz

RX..... 10.95 -12.75 GHz

Polarization

Tx.....Linear V-Pol or H-Pol

Rx.....Linear H-Pol or V-Pol

Gain (±0.3 dB)

TX..... 44.7 dBi @ 17.7 GHz

RX..... 41.8 dBi @ 12.0 GHz

3 dB Beamwidth

TX.....1.0° @ 17.7 GHz

RX..... 1.4° @ 12.0 GHz

Sidelobe Envelope (Tx, Co-Pol dBi)

100 λ/D < q < 20°..... 29-25 log θ dBi

20° < θ < 26.3° -3.5 dBi

26.3° < θ < 48°32-25 log θ dBi

48° < θ < 180° -10 dBi (Typical)

Antenna Cross-Polarization (Within 1 dB)

TX..... >30 dB

RX..... >23 dB

Antenna Noise Temperature

.....29K° @ 30° Elevation @ 12.0 GHz

VSWR

Tx.....1.3:1 Max

Rx..... 1.5:1 Max

Isolation

Tx..... 90 dB

Rx..... 45 dB

Feed Interface

Tx..... WR62 Flat Flange

Rx..... WR75 Flat Flange

1.2m BSS Band Antenna SFL

RxTx Class I

Mechanical Performance

Reflector Material.....Glass Fiber Reinforced Polyester (SMC) with Aluminium Screen

Antenna Optics..... One-Piece Offset Feed Prime Focus

Mount Type..... Elevation Over Azimuth

Elevation Adjustment Range..... 5° - 90° Continuous Fine Adjustment

Coarse Azimuth Adjustment Range..... 360° Continuous;

Fine Azimuth Adjustment Range..... ± 5°

Mast Size..... 2 7/8" - 3" (73-76mm) Diameter

Antenna Weight..... Approx 15.96Kg (Not Including Mast)

Environmental Performance

Operational Wind Speed..... 72km/h (45 mph)

Survival Wind Speed..... 128km/h (80 mph)

Ultimate Survival Wind Speed.....200km/h (125 mph)

Atmosphere.....Standard Hardware 720 Hrs SST Requirements (ASTM B-117)

Marinized Version..... Also Possible

Operational Temperature.....-40°C to +55°C

Survival Temperature Range.....-50°C to +80°C

Humidity..... 0 to 100% (Condensing)

Solar Radiation.....360 BTU/h/ ft²

Rain Operational..... 0.5" Per Hour



Request A Quote