

Coaxial Terminations (IRFT Series)

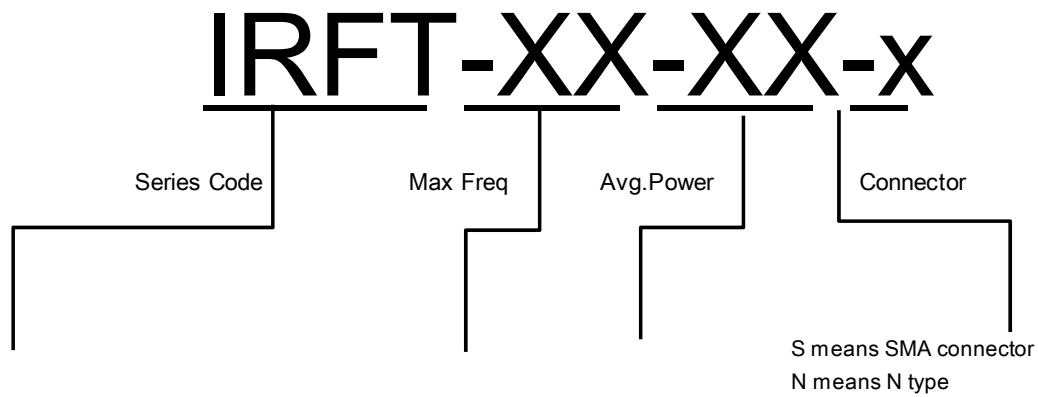
Product Reference

Model	Frequency MAX(GHz)	Connector	Power Rating(W)
IRFT-06-02-S	6GHz	SMA	2
IRFT-06-02-N	6GHz	N	2
IRFT-18-02-S	18GHz	SMA	2
IRFT-18-02-N	18GHz	N	2
IRFT-06-05-S	6GHz	SMA	5
IRFT-06-05-N	6GHz	N	5
IRFT-18-05-S	18GHz	SMA	5
IRFT-18-05-N	18GHz	N	5
IRFT-06-15-N	6GHz	N	15
IRFT-18-15-N	18GHz	N	15
IRFT-06-25-N	6GHz	N	25
IRFT-18-25-N	18GHz	N	25
IRFT-06-35-N	6GHz	N	35
IRFT-18-35-N	18GHz	N	35
IRFT-06-50-N	6GHz	N	50
IRFT-18-50-N	18GHz	N	50
IRFT-06-100-N	6GHz	N	100
IRFT-18-100-N	18GHz	N	100
IRFT-06-150-N	6GHz	N	150
IRFT-18-150-N	18GHz	N	150
IRFT-06-200-N	6GHz	N	200
IRFT-18-200-N	18GHz	N	200
IRFT-06-250-N	6GHz	N	250
IRFT-18-250-N	18GHz	N	250
IRFT-06-300-N	6GHz	N	300
IRFT-18-300-N	18GHz	N	300
IRFT-06-500-N	6GHz	N	500
IRFT-12-500-N	12.4GHz	N	500

1. 3GHz/8GHz/12.4GHz are also available. Please contact us for detailed specs.
2. 100W to 300W attenuators are available in both square and round type, square type is recommended for better heat sink performance.

Model Description

Our Coaxial attenuator comes in **RFT series**, with maximum frequency of 18GHz and up to 500W in average power.



For example, **IRFT-06-02-S** refers to the coaxial terminations, DC-6GHz, 2Watts, SMA connector.

*Default impedance is 50-ohm. Should 75-ohm is needed; please indicate on your enquiry form and PO.

SMA, 2W

Specifications

- Options of DC-6GHz,DC-12.4GHz,DC-18GHz
- Nominal Impedance:50 ohms
- Power Rating:2W@25-70°C
- Operating Temperature:-55-125°C

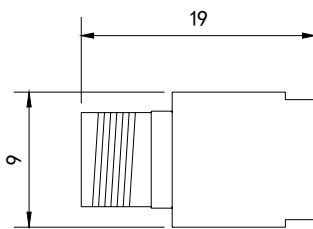
Features

- Up to 18GHz
- Low VSWR
- Passivated stainless steel SMA connector
- Alumina oxide substrate
- Gold plated beryllium Copper(female) contacts

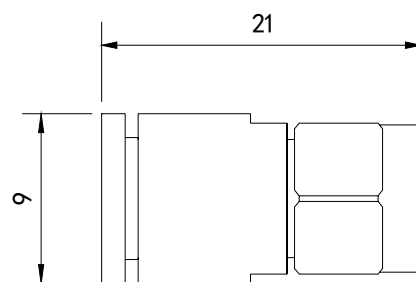
V.S.W.R (max)

Frequency	V.S.W.R
DC-4GHz	1.15
4-8GHz	1.20
8-12.4GHz	1.25
12.4-18GHz	1.30

Dimensions (mm)



19*9mm



21*9mm

N Type, 2W

Specifications

- Options of DC-6GHz,DC-12.4GHz,DC-18GHz
- Nominal Impedance:50 ohms
- Power Rating:2W@25-70°C
- Operating Temperature:-55-125°C

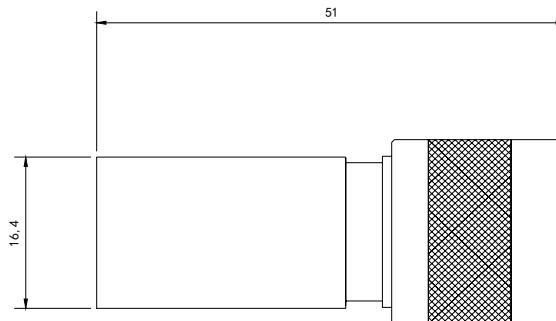
Features

- Up to 18GHz
- Low VSWR
- Ternary alloy plated Copper body and nut
- Alumina oxide substrate
- Gold plated beryllium Copper(female) contacts

V.S.W.R (max)

Frequency	V.S.W.R
DC-4GHz	1.20
4-8GHz	1.25
8-12.4GHz	1.30
12.4-18GHz	1.40

Dimensions (mm)



51*16.4mm



51*16.4mm

SMA, 5W

Specifications

- Options of DC-6GHz,DC-12.4GHz,DC-18GHz
- Nominal Impedance:50 ohms
- Power Rating:5W@25-70°C
- Operating Temperature:-55-125°C

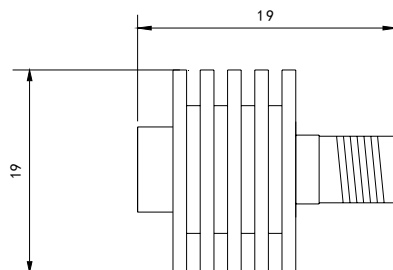
Features

- Up to 18GHz
- Low VSWR
- Passivated stainless steel SMA connector, anodized alumina heat sink
- Alumina oxide substrate
- Gold plated beryllium Copper(female) contacts

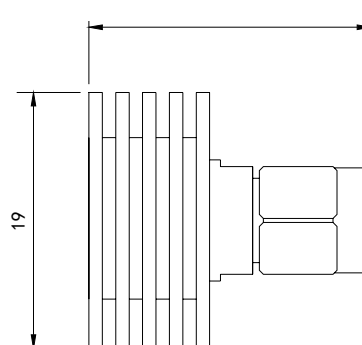
V.S.W.R (max)

Frequency	V.S.W.R
DC-4GHz	1.15
4-8GHz	1.20
8-12.4GHz	1.25
12.4-18GHz	1.35

Dimensions (mm)



19*19mm



19*21mm

N Type, 5W

Specifications

- Options of DC-6GHz,DC-12.4GHz,DC-18GHz
- Nominal Impedance:50 ohms
- Power Rating:5W@25-70°C
- Operating Temperature:-55-125°C

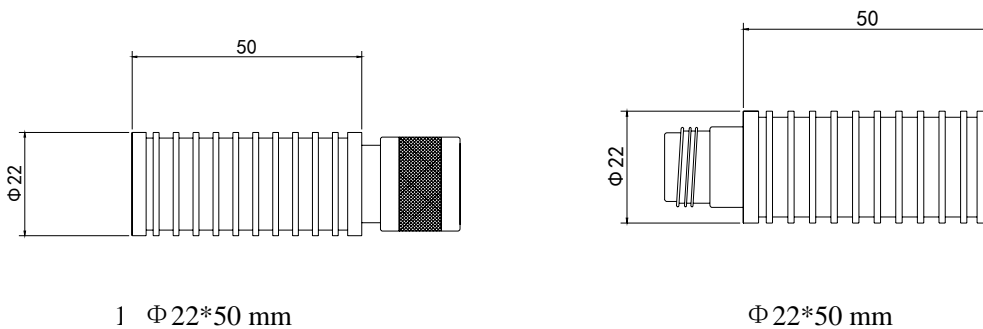
Features

- Up to 18GHz
- Low VSWR
- Ternary alloy plated Copper body and connector, anodized alumina heat sink
- Alumina oxide substrate
- Gold plated beryllium Copper(female) contacts

V.S.W.R (max)

Frequency	V.S.W.R
DC-4GHz	1.20
4-8GHz	1.25
8-12.4GHz	1.30
12.4-18GHz	1.40

Dimensions (mm)



Remarks: Total length with connector is 69mm (male), 65mm (female), for reference only.

SMA or N Type, 15W

Specifications

- Options of DC-6GHz,DC-12.4GHz,DC-18GHz
- Nominal Impedance:50 ohms
- Power Rating:15W@25-70°C
- Operating Temperature:-55-125°C

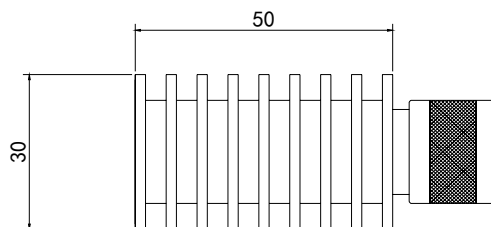
Features

- Low VSWR
- Ternary alloy plated Copper body and connector(N type), passivated stainless steel SMA connector
- BeO substrate
- Gold plated beryllium Copper(female) contacts
- Anodized alumina heat sink

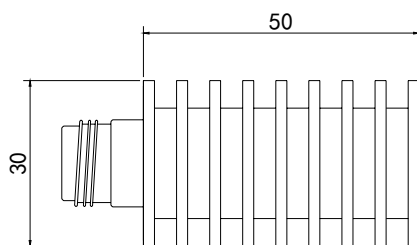
V.S.W.R (max)

Frequency	V.S.W.R
DC-4GHz	1.20
4-8GHz	1.25
8-12.4GHz	1.30
12.4-18GHz	1.40

Dimensions (mm)



Φ 30*50 mm



Φ 30*50 mm

Remarks: Total length with connector is 69mm (male), 65mm (female), for reference only.

N Type, 25W

Specifications

- Options of DC-6GHz,DC-12.4GHz,DC-18GHz
- Nominal Impedance:50 ohms
- Power Rating:25W@25-70°C
- Operating Temperature:-55-125°C

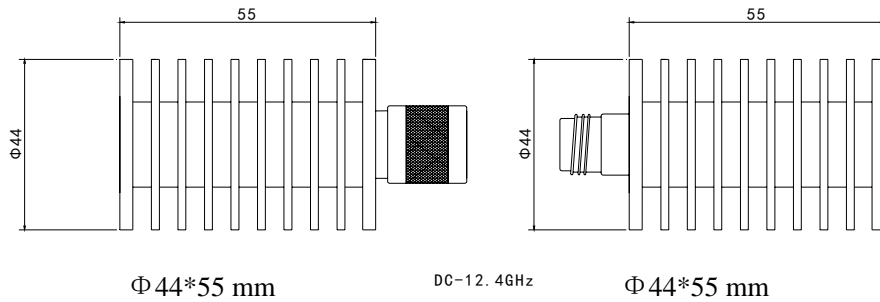
Features

- Low VSWR
- Ternary alloy plated Copper body and connector
- BeO substrate
- Gold plated beryllium Copper(female) contacts
- Anodized alumina heat sink

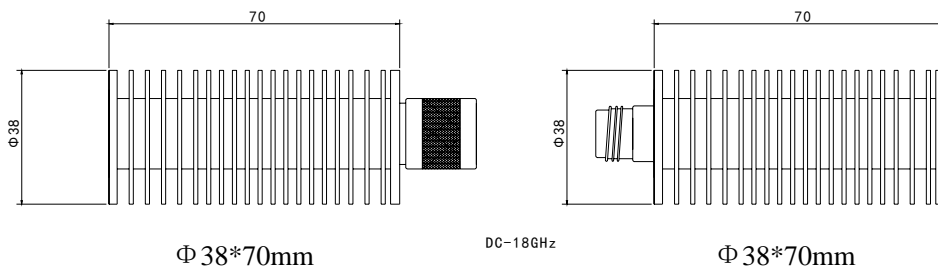
V.S.W.R (max)

Frequency	V.S.W.R
DC-4GHz	1.20
4-8GHz	1.25
8-12.4GHz	1.30
12.4-18GHz	1.40

Dimensions (mm)



Remarks: Total length with connector is 73mm (male), 69mm (female), for reference only.



Remarks: Total length with connector is 89mm (male), 85mm (female), for reference only.

N Type, 35W

Specifications

- Options of DC-6GHz,DC-12.4GHz,DC-18GHz
- Nominal Impedance:50 ohms
- Power Rating:35W@25-70°C
- Operating Temperature:-55-125°C

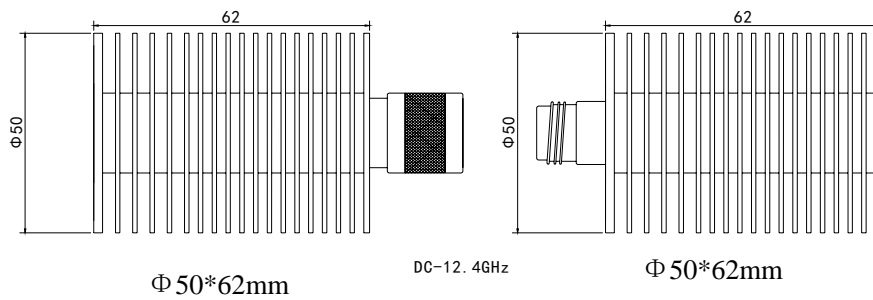
Features

- Low VSWR
- Ternary alloy plated Copper body and connector
- BeO substrate
- Gold plated beryllium Copper(female) contacts
- Anodized alumina heat sink

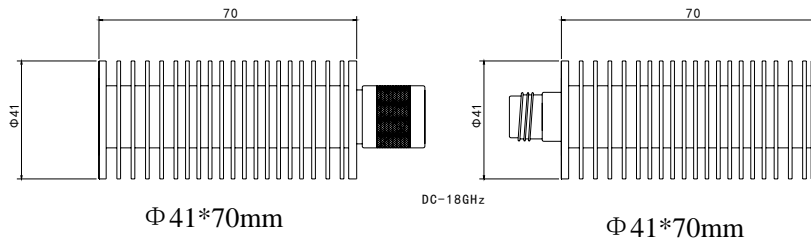
V.S.W.R (max)

Frequency	V.S.W.R
DC-4GHz	1.20
4-8GHz	1.25
8-12.4GHz	1.30
12.4-18GHz	1.40

Dimensions (mm)



Remarks: Total length with connector is 81mm (male), 77mm (female), for reference only.



Remarks: Total length with connector is 89mm (male), 85mm (female), for reference only.

N Type, 50W

Specifications

- Options of DC-6GHz,DC-12.4GHz,DC-18GHz
- Nominal Impedance:50 ohms
- Power Rating:50W@25-70°C
- Operating Temperature:-55-125°C

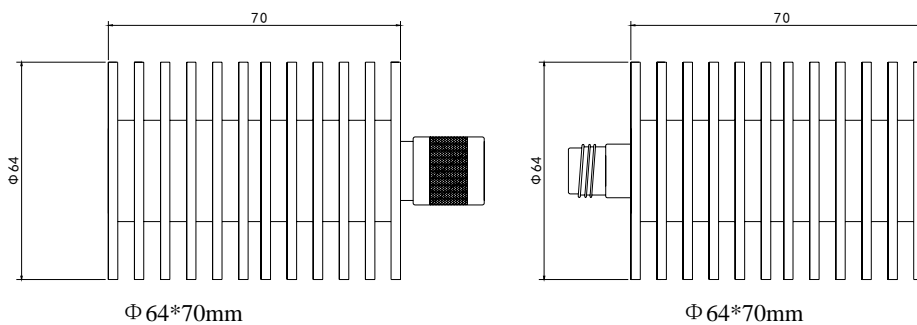
Features

- Low VSWR
- Ternary alloy plated Copper body and connector
- BeO substrate
- Gold plated beryllium Copper(female) contacts
- Anodized alumina heat sink

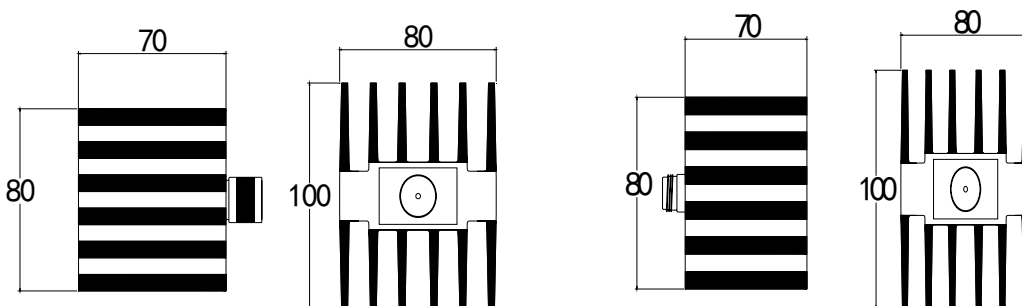
.S.W.R (max)

Frequency	V.S.W.R
DC-4GHz	1.20
4-8GHz	1.25
8-12.4GHz	1.30
12.4-18GHz	1.40

Dimensions (mm)



Remarks: Total length with connector is 89mm (male), 85mm (female), for reference only.



Remarks: Total length with connector is 89mm (male), 85mm (female), for reference only.

N Type, 100W

Specifications

- Options of DC-6GHz,DC-12.4GHz,DC-18GHz
- Nominal Impedance:50 ohms
- Power Rating:100W@25-70°C
- Operating Temperature:-55-125°C

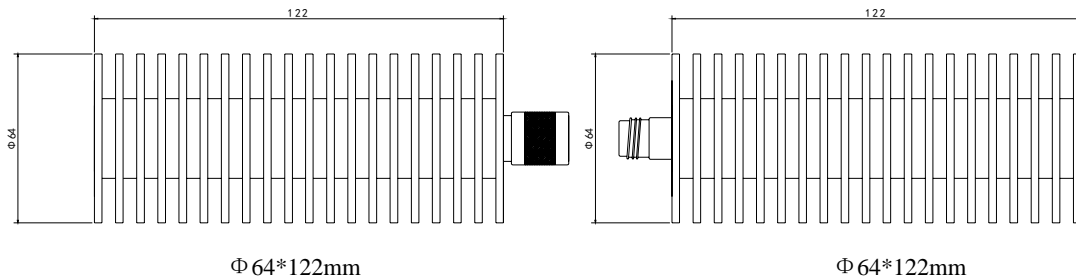
Features

- Low VSWR
- Ternary alloy plated Copper body and connector
- BeO substrate
- Gold plated beryllium Copper(female) contacts
- Anodized alumina heat sink

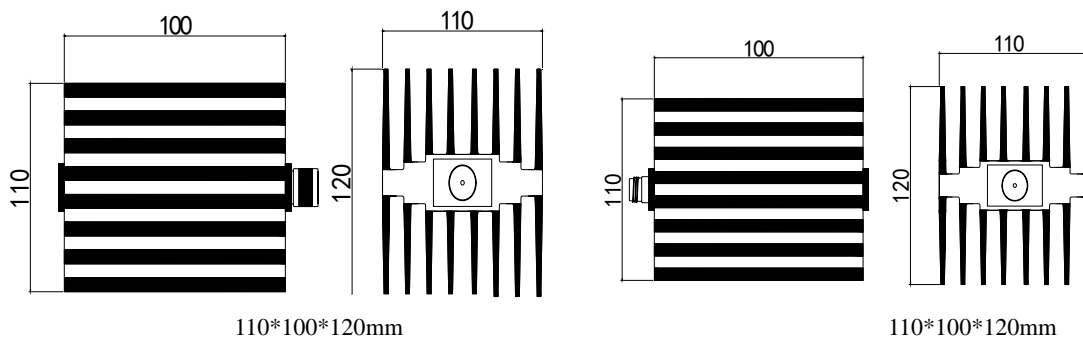
V.S.W.R (max)

Frequency	V.S.W.R
DC-4GHz	1.20
4-8GHz	1.25
8-12.4GHz	1.35
12.4-18GHz	1.45

Dimensions (mm)



Remarks: Total length with connector is 140mm (male), 136mm (female), for reference only.



Remarks: Total length with connector is 140mm (male), 136mm (female), for reference only.

N Type, 150W

Specifications

- Options of DC-6GHz,DC-12.4GHz,DC-18GHz
- Nominal Impedance:50 ohms
- Power Rating:150W@25-70°C
- Operating Temperature:-55-125°C

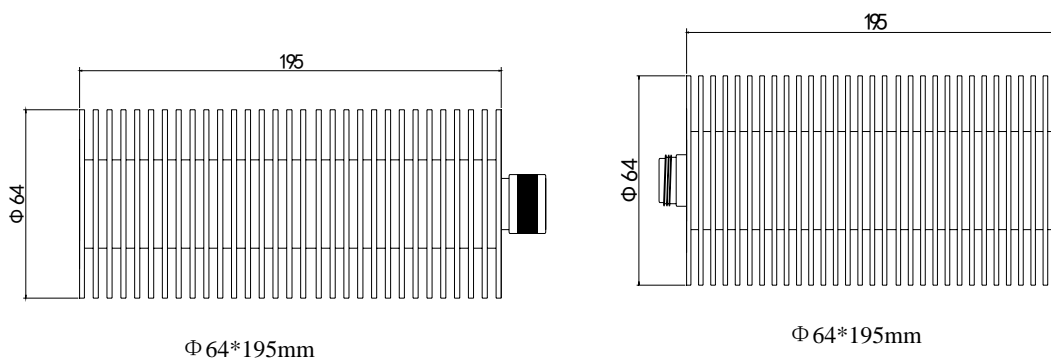
Features

- Low VSWR
- Ternary alloy plated Copper body and connector
- BeO substrate
- Gold plated beryllium Copper(female) contacts
- Anodized alumina heat sink

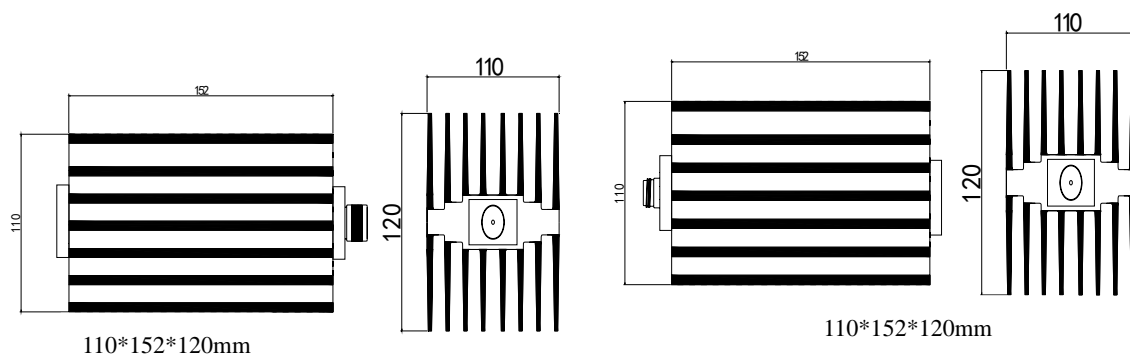
V.S.W.R (max)

Frequency	V.S.W.R
DC-4GHz	1.20
4-8GHz	1.25
8-12.4GHz	1.35
12.4-18GHz	1.45

Dimensions (mm)



Remarks: Total length with connector is 215mm (male), 211mm (female), for reference only.



Remarks: Total length with connector is 191mm (male), 187mm (female), for reference only.

Specifications subject to change without prior notice. Contact us for detailed product information.

N Type, 200W

Specifications

- Options of DC-6GHz,DC-12.4GHz,DC-18GHz
- Nominal Impedance:50 ohms
- Power Rating:200W@25-70°C
- Operating Temperature:-55-125°C

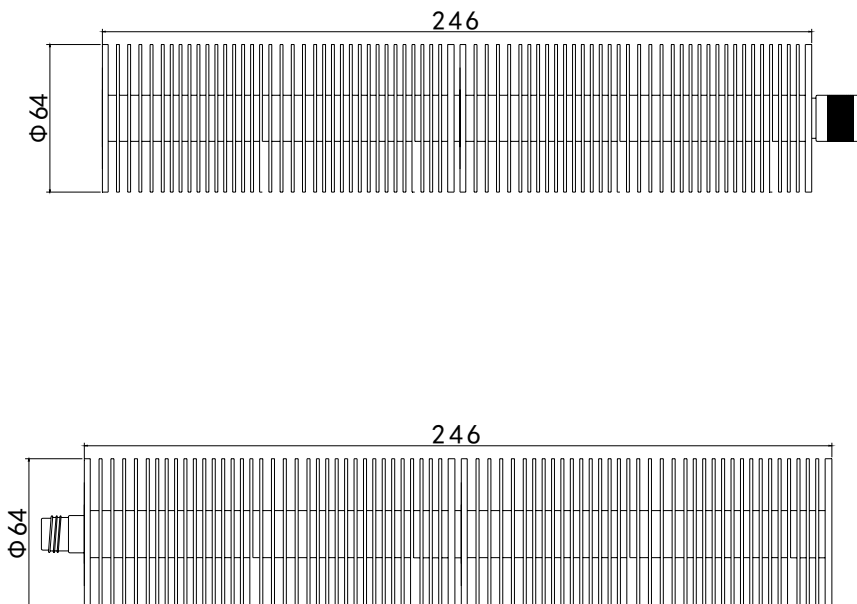
Features

- Low VSWR
- Ternary alloy plated Copper body and connector
- BeO substrate
- Gold plated beryllium Copper(female) contacts
- Anodized alumina heat sink

V.S.W.R (max)

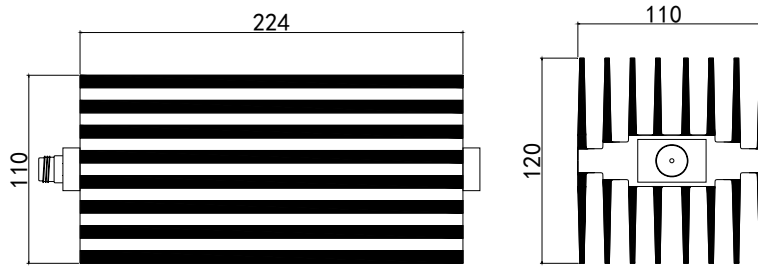
Frequency	V.S.W.R
DC-4GHz	1.20
4-8GHz	1.25
8-12.4GHz	1.35
12.4-18GHz	1.45

Dimensions (mm)

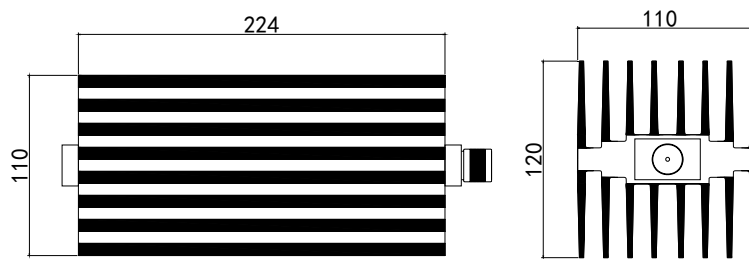


Remarks: Total length with connector is 266mm (male), 262mm (female), for reference only.

Dimensions (mm)



(B)



(B)

Remarks: Total length with connector is 242mm (male), 238mm (female), for reference only.

N Type, 250W

Specifications

- Options of DC-6GHz,DC-12.4GHz,DC-18GHz
- Nominal Impedance:50 ohms
- Power Rating:250W@25-70°C
- Operating Temperature:-55-125°C

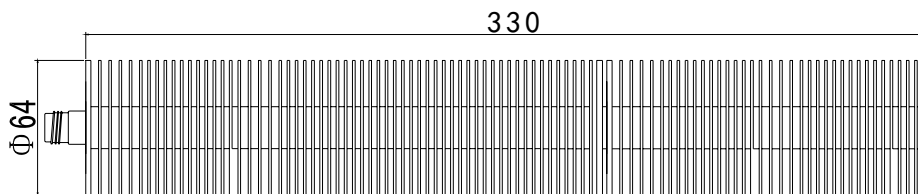
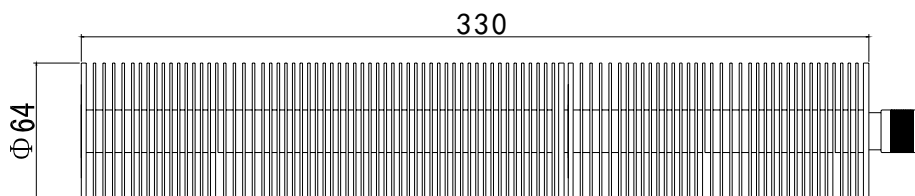
Features

- Low VSWR
- Ternary alloy plated Copper body and connector
- BeO substrate
- Gold plated beryllium Copper(female) contacts
- Anodized alumina heat sink

V.S.W.R (max)

Frequency	V.S.W.R
DC-4GHz	1.20
4-8GHz	1.25
8-12.4GHz	1.35
12.4-18GHz	1.45

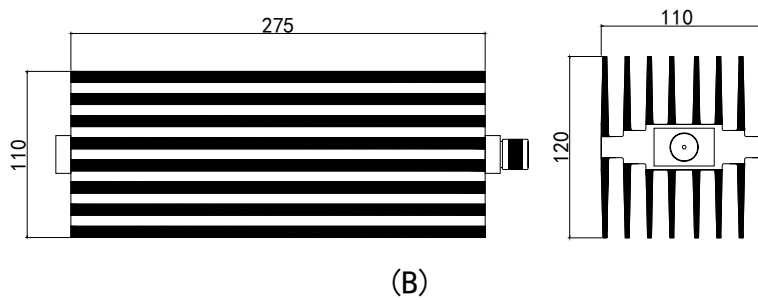
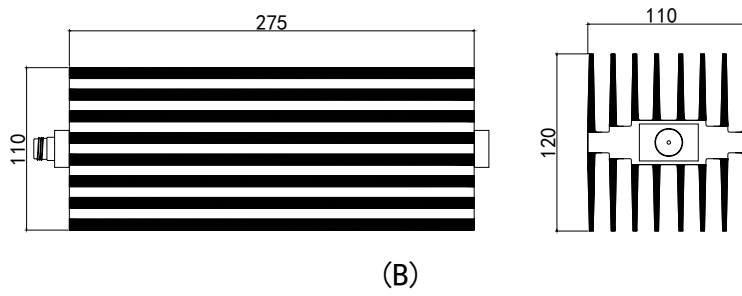
Dimensions (mm)



Remarks: Total length with connector is 350mm (male), 346mm (female), for reference only.

N Type, 250W

Dimensions (mm)



Remarks: Total length with connector is 293mm (male), 283mm (female), for reference only.

N Type, 300W

Specifications

- Options of DC-6GHz,DC-12.4GHz,DC-18GHz
- Nominal Impedance:50 ohms
- Power Rating:300W@25-70°C
- Operating Temperature:-55-125°C

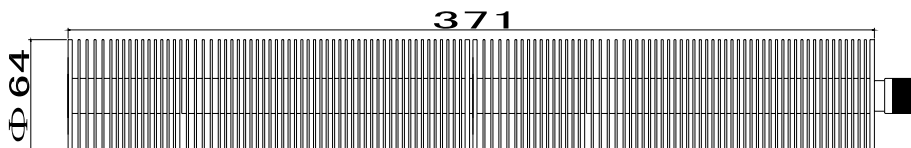
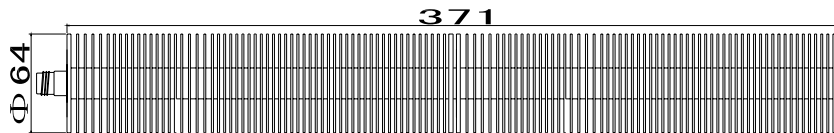
Features

- Low VSWR
- Ternary alloy plated Copper body and connector
- BeO substrate
- Gold plated beryllium Copper(female) contacts
- Anodized alumina heat sink

V.S.W.R (max)

Frequency	V.S.W.R
DC-4GHz	1.20
4-8GHz	1.25
8-12.4GHz	1.35
12.4-18GHz	1.45

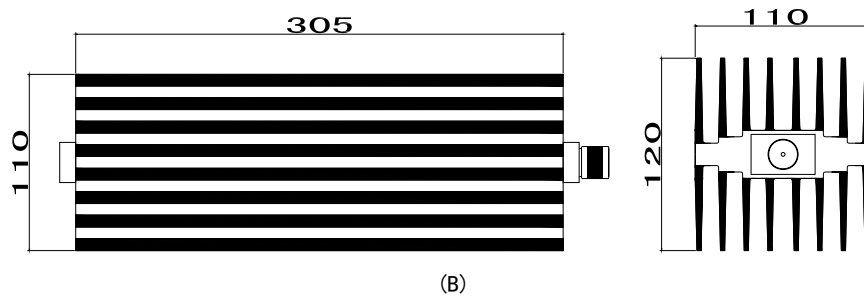
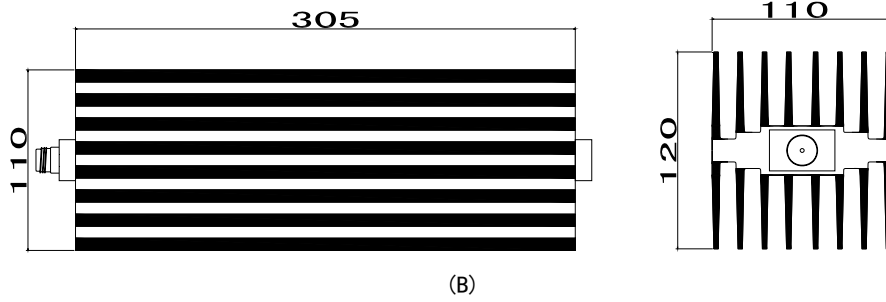
Dimensions (mm)



Remarks: Total length with connector is 391mm (male), 387mm (female), for reference only.

N Type, 300W

Dimensions (mm)



Remarks: Total length with connector is 344mm (male), 340mm (female), for reference only.

N Type, 500W

Specifications

- Options of DC-6GHz,DC-12.4GHz
- Nominal Impedance:50 ohms
- Power Rating:500W@25-70°C
- Operating Temperature:-55-125°C

Features

- Low VSWR
- Ternary alloy plated Copper body and connector
- BeO substrate
- Gold plated beryllium Copper(female) contacts
- Anodized alumina heat sink

V.S.W.R (max)

Frequency	V.S.W.R
DC-4GHz	1.20
4-8GHz	1.25
8-12.4GHz	1.35

Dimensions (mm)



Remarks: Total length with connector is 548mm (male), 544mm (female), for reference only.

Specifications subject to change without prior notice. Contact us for detailed product information.