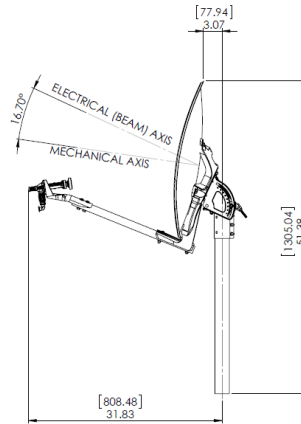
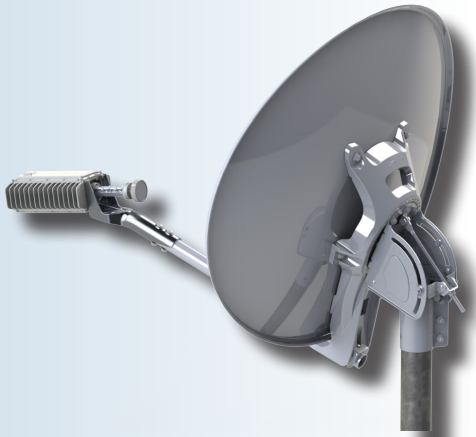


Type 748: 74cm Rx/Tx Extended Ka-Band Antenna



- ISO 9001:2008 Certificate of Registration
- One-piece Steel Reflector
- Precision Az/EI Mount
- Fine Azimuth and Elevation Adjustment Features
- All Materials Comply with EU Directive No. 2002/95/EC (RoHS)



- 720 Hour Salt Spray Hardware
- Designed for Skyware Global Ka Band Feed Components
- Designed for Tier I OEM Transceiver

New **Skyware Global 74cm Rx/Tx Extended Ka-Band Antenna** is a rugged, commercial quality product suitable for the most demanding applications.

- The stamped steel reflector is designed for strength and accuracy needed for Ka-Band operation.
- The precision Az/EI mount is made of galvanized steel for excellent corrosion resistance. This mount includes special features to increase pointing accuracy with low backlash and lockdown error.
- This Az/EI allows the antenna to be installed on standard (73.2mm) [2.88"] OD installation mounts.
- All hardware is plated to 720 hour salt spray standards tested in accordance with ASTM B-117.
- Designed for use with the Skyware Global line of Ka-band Feed assemblies.
- Tx Cross-Polarization Isolation of 25dB (within 1dB b/w) or better for CP Application.
- Excellent Tx Port to Port Isolation of 90dB or better.
- Meets or exceeds regulatory agency requirements.
- System designed for typical Ka-band RF Electronics.



• PRODUCT SPECIFICATIONS

RF Performance

Operating Frequency
RX 18.3-20.2GHz
TX 28.3-30.0GHz

Gain (+/0.3db)
RX 42.2 dBi @ 20.2GHz
TX 45.2 dBi @ 30.0GHz

VSWR 1.3:1 Max

3dB Beamwidth
RX 1.38° @ 20.2GHz
TX 0.96° @ 30.0GHz

Sidelobe Envelope Co-Pol (dBi)
100 $\lambda/D < \theta < 20^\circ$ 29-25 log θ dBi
20° < $\theta < 26.3^\circ$ -3.5 dBi
26.3° < $\theta < 48^\circ$ 32-25 log θ dBi
0 > 48° -10 dBi (averaged)

Antenna Noise Temperature
10° Elevation96K
20° Elevation69K
30° Elevation54K

Cross Polarization Isolation
within 1.0 dB Beamwidth
RX22 dBi
TX25 dBi

Isolation (Port to Port)
RX 80db
TX 90db

Output Waveguide Interface Flange
RX WR42
TX WR28

74cm Rx/Tx Extended Ka-Band Antenna

Mechanical Performance

Reflector Material Steel

Antenna Optics One-Piece Offset Feed Prime Focus

Mast Pipe Size 2.5" SCH 40 Pipe
(2.88" OD) (73.2mm) Diameter

Elevation Adjustment Range5°-90° Continuous
Fine Adjustment

Azimuth Adjustment Range 360° Continuous
Course Adjustment
 $\pm 10^\circ$ Fine Adjustment

Shipping Specifications
Approx. Net Weight: 45lbs (20Kg)
Approx. Packaged Weight: 55lbs (25Kg)

Environmental Performance

Wind Loading
Operational 50 mph (80 km/h)

Survival 125 mph (201 km/h)

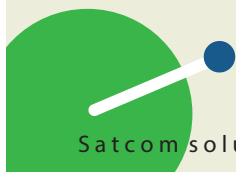
Temperature (operational) -40° to 140°F
(-40° to 60)°C

Rain (operational) ½" / hr

Atmospheric Conditions
Salt, Pollutants and Contaminants
as Encountered in Coastal and Industrial Areas

Relative Humidity 0 to 100% with Condensation

Solar Radiation 360 BTU/h/ ft²



Satcom solutions for the long haul



REV 03/15-01
Page 2 of 2

Request A Quote