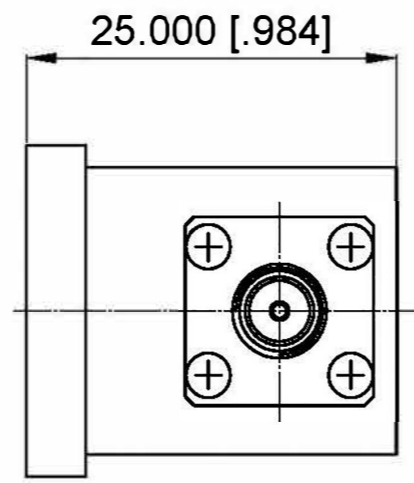
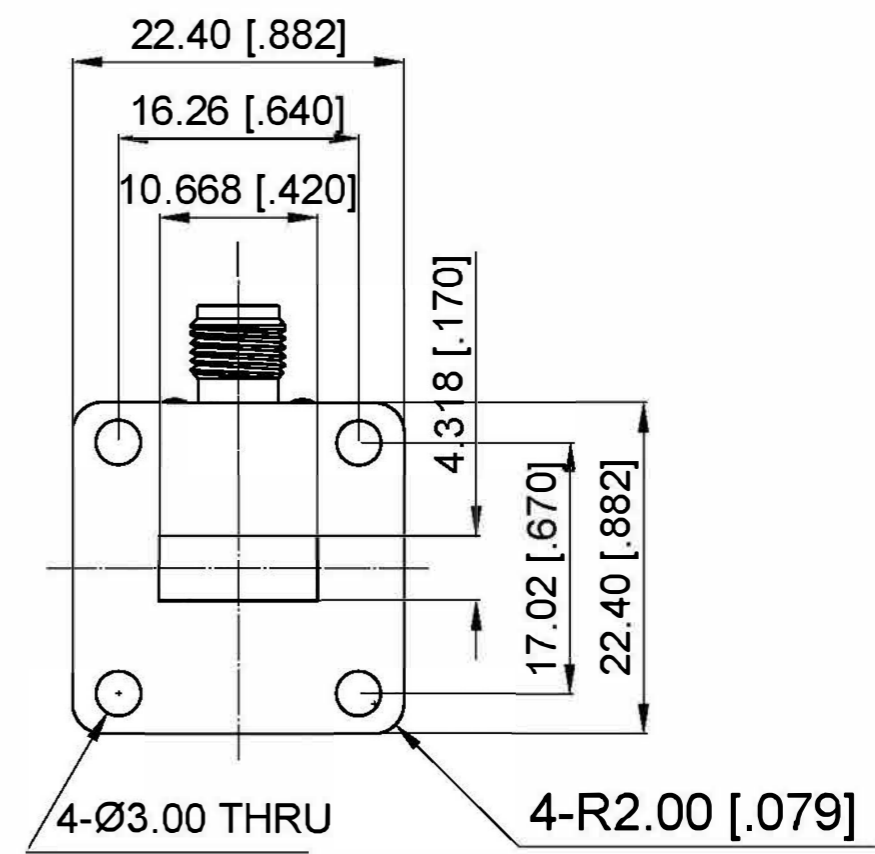
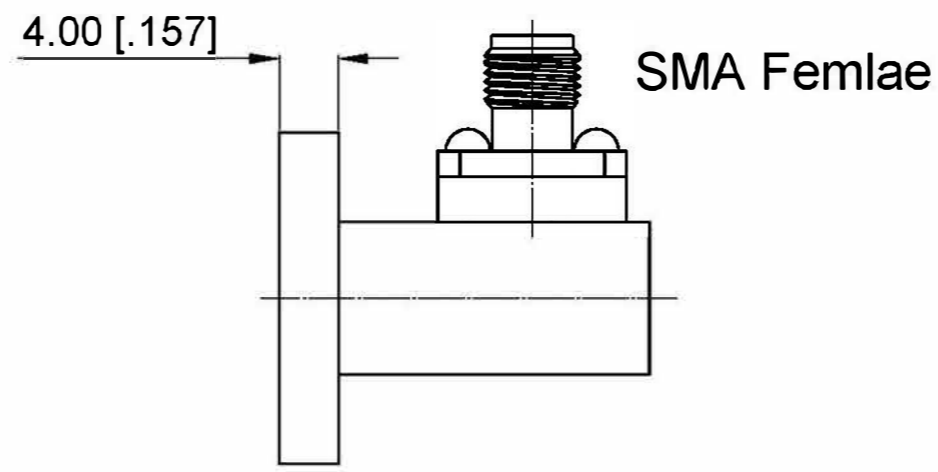


ELECTRICAL SPECIFICATIONS

Impedance: 50 Ohm
 Frequency Range: 17.6-26 GHz
 VSWR: 1.50 max.

Revisions			
Rev	Description	Date	Approved:
A	Initial Release	2018.1.26	A. M



- NOTES:
1. ALL SPECIFICATIONS ARE SUBJECT TO CHANGE WITHOUT NOTICE AT ANY TIME
 2. CUSTOMER OUTLINE DRAWING FOR REFERENCE ONLY

Drawn:	W. Y 2018.1.26
Checked:	T. L 2018.1.26
Approved:	A. M 2018.1.26
Unless Otherwise Specified Dimensions are in Millimeters, Dimensions in [] are in Inches for Customer Reference Only. Unless Otherwise Specified Tolerance are: .XX ±0.13 [.005"] .X ±0.20 [.008"] X ±0.50 [.019"] .X° ±1° X° ±2°	

Title:	WR42 to SMA Female Adaptor, 17.6-26 GHz
Part No:	IDC42SFL

ID CONNECTING			
View:			
Size:	Scale:	Sheet:	Rev:
A3	2:1	1/1	A