

W24-58-CP-9

M2M / WLAN

08/05/2015 v.A

Dual Band Directional Patch Antenna

High gain directional antenna

Covers 2.4 & 5GHz for WIFI/WLAN

Ideal WIFI coverage extender for large rooms, car parks & warehouses



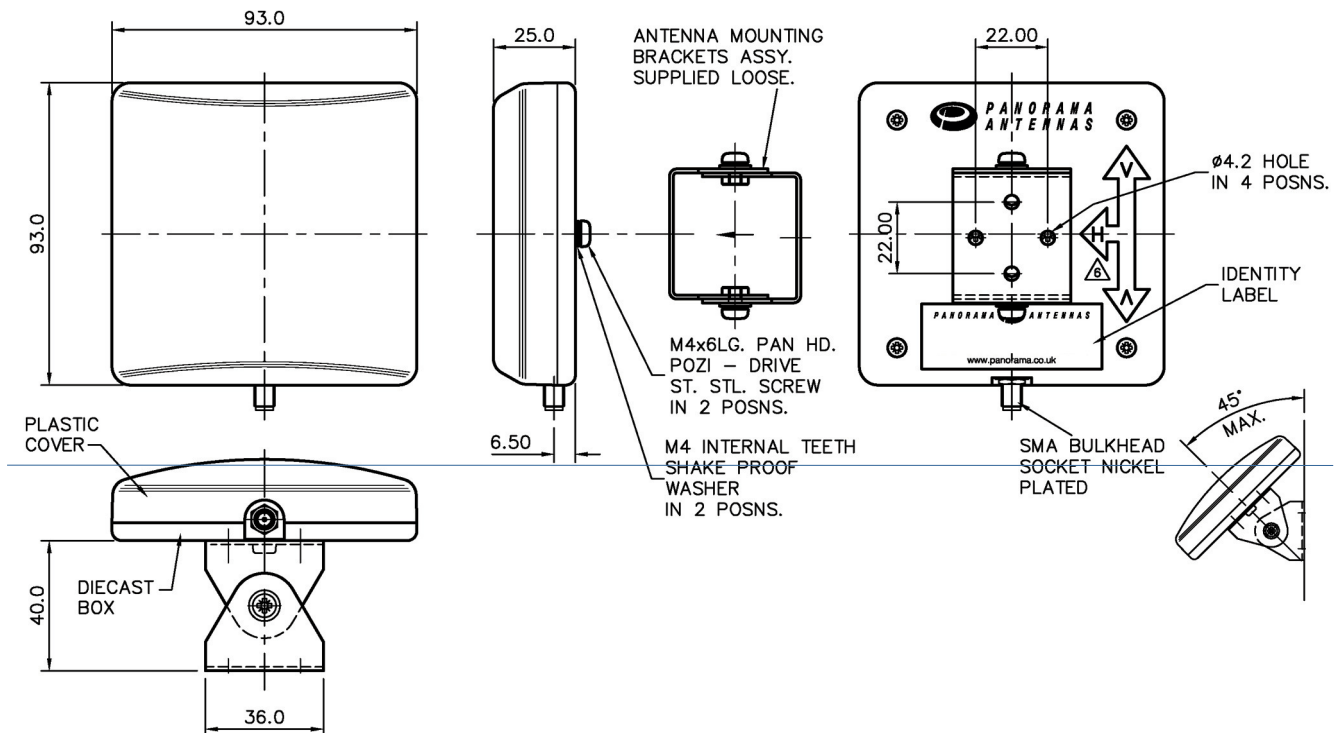
The Panorama client patch antenna is a directional wall or mast mounted antenna covering 2.4 & 5GHz for WIFI / WLAN applications.

This antenna is ideal for point to point communications or can be used to cover a wide area thanks to its relatively wide beamwidth in the horizontal and vertical planes. Several of these antennas can be used to provide cost effective sectored coverage.

The antenna is supplied with a 90 degree adjustable wall / mast mount angle bracket to give optimal mounting flexibility.

Ideal to infill network coverage black spots or to provide a consistent connection for subscriber terminals the W24-58-CP-9 is a cost effective solution to network coverage issues.

Technical Drawing



PANORAMA ANTENNAS

Panorama Antennas Ltd
Frogmore, London, SW18 1HF, United Kingdom

T: +44 (0)20 8877 4444

F: +44 (0)20 8877 4477

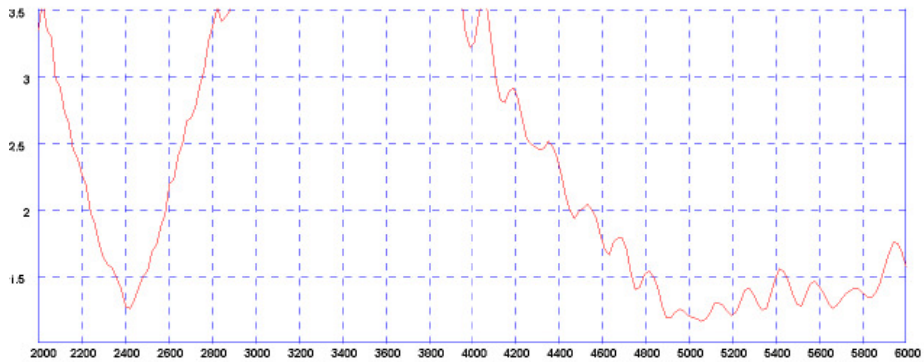
E: sales@panorama-antennas.com

www.panorama-antennas.com

Waiver: The data given above is indicative of the performance of the product/s under particular conditions and does not imply a guarantee of performance. These specifications are subject to change without notice.

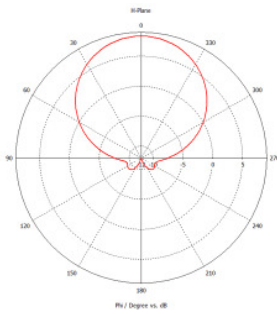
Copyright © Panorama Antennas Ltd. All rights reserved.

Typical VSWR

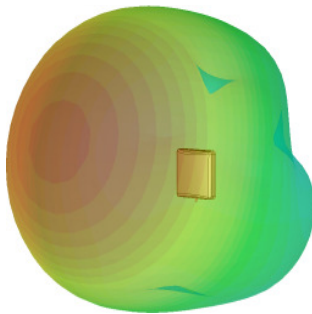


*VSWR measured in free space without additional cable

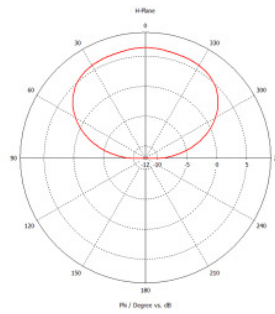
Typical H-Plane (2400MHz)



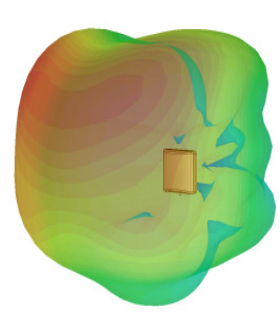
Typical 3D Plot (2400MHz)



Typical H-Plane (5400MHz)



Typical 3D Plot (5400MHz)



Part No.

W24-58-CP-9

Electrical Data

Frequency Range (MHz)	2400-2485 / 4900-6000	
Operational Band	2.4GHz/5GHz WLAN	
VSWR	≤ 2:1	
Peak Gain: Isotropic	9dBi	
Pattern	Directional	
3dB Beamwidth	Azimuth 2.4GHz	60°
	Azimuth 5GHz	90°
Polarisation	Vertical	
Impedance	50Ω	
Max Input Power (W)	50	

Mechanical Data

Dimensions (mm)	Height	93 (3.66")
	Width	93 (3.66")
	Depth	25 (0.98")
Operating Temp (°C)	-30° / +70°C (-22° / +158°C)	
Material	Geloy PC/ASA & die cast aluminium	
Colour	Signal White	

Mounting Data

Fixing	Wall mount or Mast mount
--------	--------------------------

Environmental Specification

Wind Load / Resistance	11N at 150km/h
Radome Flammability	UL94 V0 - Halogen Free

Connector Data

Termination	SMA socket
-------------	------------