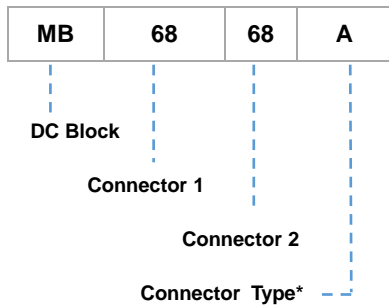


DC Blocks



Part Numbering



*Connector Type

Code	Connector Type
A	Male to Male
B	Female to Female
C	Male to Female
D	Female to Male
M	Male
F	Female

DC Block Selection Matrix

Connector2 \ Connector1	2.4mm	2.92mm	3.5mm	SMA	N
2.4mm	√				
2.92mm		√			
3.5mm			√		
SMA				√	
N					√

DC Blocks

2.4mm DC Blocks							
P/N	Connector 1	Connector 2	Block Type	Frequency	VSWR	IL	Voltage
MB6868A	2.4mm Male	2.4mm Male	Inner	30MHz~50GHz	1.30:1(max)	≤0.8dB	50V
MB6868B	2.4mm Female	2.4mm Female	Inner	30MHz~50GHz	1.30:1(max)	≤0.8dB	50V
MB6868C	2.4mm Male	2.4mm Female	Inner	30MHz~50GHz	1.30:1(max)	≤0.8dB	50V
2.92mm DC Blocks							
P/N	Connector 1	Connector 2	Block Type	Frequency	VSWR	IL	Voltage
MB6767A	2.92mm Male	2.92mm Male	Inner	30MHz~40GHz	1.30:1(max)	≤0.8dB	50V
MB6767B	2.92mm Female	2.92mm Female	Inner	30MHz~40GHz	1.30:1(max)	≤0.8dB	50V
MB6767C	2.92mm Male	2.92mm Female	Inner	30MHz~40GHz	1.30:1(max)	≤0.8dB	50V
3.5mm DC Blocks							
P/N	Connector 1	Connector 2	Block Type	Frequency	VSWR	IL	Voltage
MB6666A	3.5mm Male	3.5mm Male	Inner	30MHz~26.5GHz	1.25:1(max)	≤0.6dB	50V
MB6666B	3.5mm Female	3.5mm Female	Inner	30MHz~26.5GHz	1.25:1(max)	≤0.6dB	50V
MB6666C	3.5mm Male	3.5mm Female	Inner	30MHz~26.5GHz	1.25:1(max)	≤0.6dB	50V
SMA DC Blocks							
P/N	Connector 1	Connector 2	Block Type	Frequency	VSWR	IL	Voltage
MB6969A	SMA Male	SMA Male	Inner	30MHz~26.5GHz	1.20:1(max)	≤0.8dB	50V
MB6969B	SMA Female	SMA Female	Inner	30MHz~26.5GHz	1.20:1(max)	≤0.8dB	50V
MB6969C	SMA Male	SMA Female	Inner	30MHz~26.5GHz	1.20:1(max)	≤0.8dB	50V
N DC Blocks							
P/N	Connector 1	Connector 2	Block Type	Frequency	VSWR	IL	Voltage
MB6565A	N Male	N Male	Inner	10MHz~18GHz	1.25:1(max)	≤0.6dB	50V
MB6565B	N Female	N Female	Inner	10MHz~18GHz	1.25:1(max)	≤0.6dB	50V
MB6565C	N Male	N Female	Inner	10MHz~18GHz	1.25:1(max)	≤0.6dB	50V