

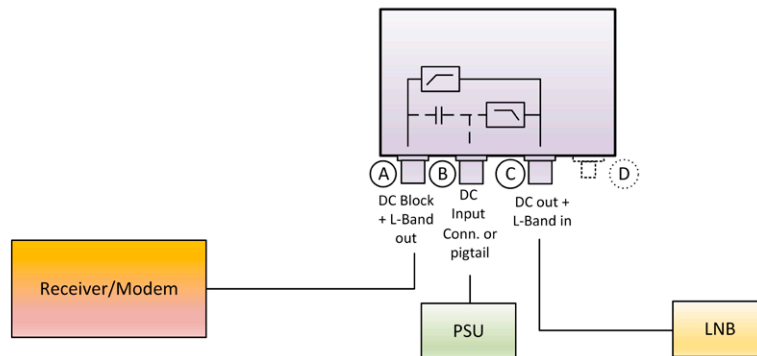


The Bias-Tee is used when an external DC input is needed i.e. Receiver / Modem doesn't have DC out or the installation requires an external DC feed.

## TECHNICAL SPECIFICATIONS

MODEL:	L-Band - Bias Tee / DC Inserter
L-Band Frequency Range	950 - 2150 MHz
DC Input	+13 to +28 V
Maximum Load	1 A
IF Insertion Loss	1 dB @ 950-2150 MHz max.
Return Loss L-band Input / Output	N- and SMA-connector: min. 10dB, typ 15 dB, with F connector min. 8dB, typ. 13 dB
Temperature Range	-40 to +80°C
Protection Class	IP 67
Connectors	F-type 75Ω / N-type 50Ω / SMA-type 50Ω
Dimensions	96 x 26 x 89 mm ( N connectors )
Weight	209 g ( F & SMA connectors ), 249 g ( N connectors )
Options	Pigtail 2m for DC input

## Installation example, Bias Tee / DC inserter



### Ordering information:

Model	Connector A	DC input B	Connector C	Connector D	DC Block A	DC Block C	Future use	Future use	Version
LBIT	?	?	?	X	1	X	X	X	02

Connector A		DC input B		Connector C		Connector D	DC Block (A)		DC Block (C)		
0	F	0	F	0	F	X	n/a	X	No block	X	No block
5	N	5	N	5	N						
8	SMA	8	SMA	8	SMA			1	DC blocked	1	DC blocked
		9	Pigtail								

### Example:

LBIT-595X-1XXX-02, L-Band out + DC Block (N), DC input (Pigtail), DC out + L-Band in (N)